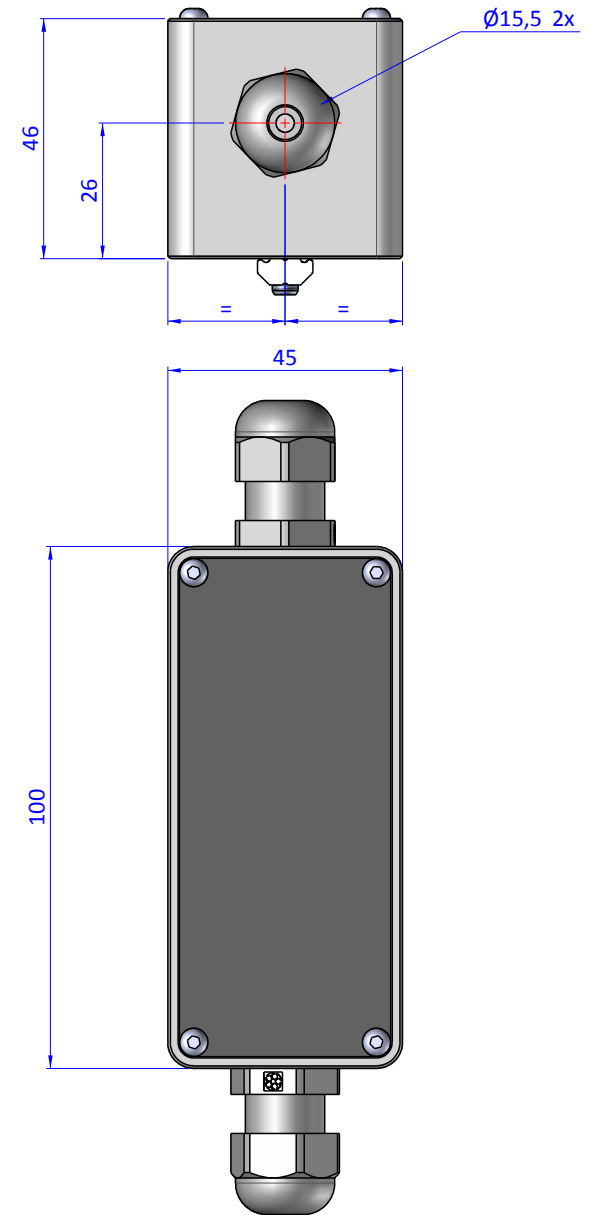
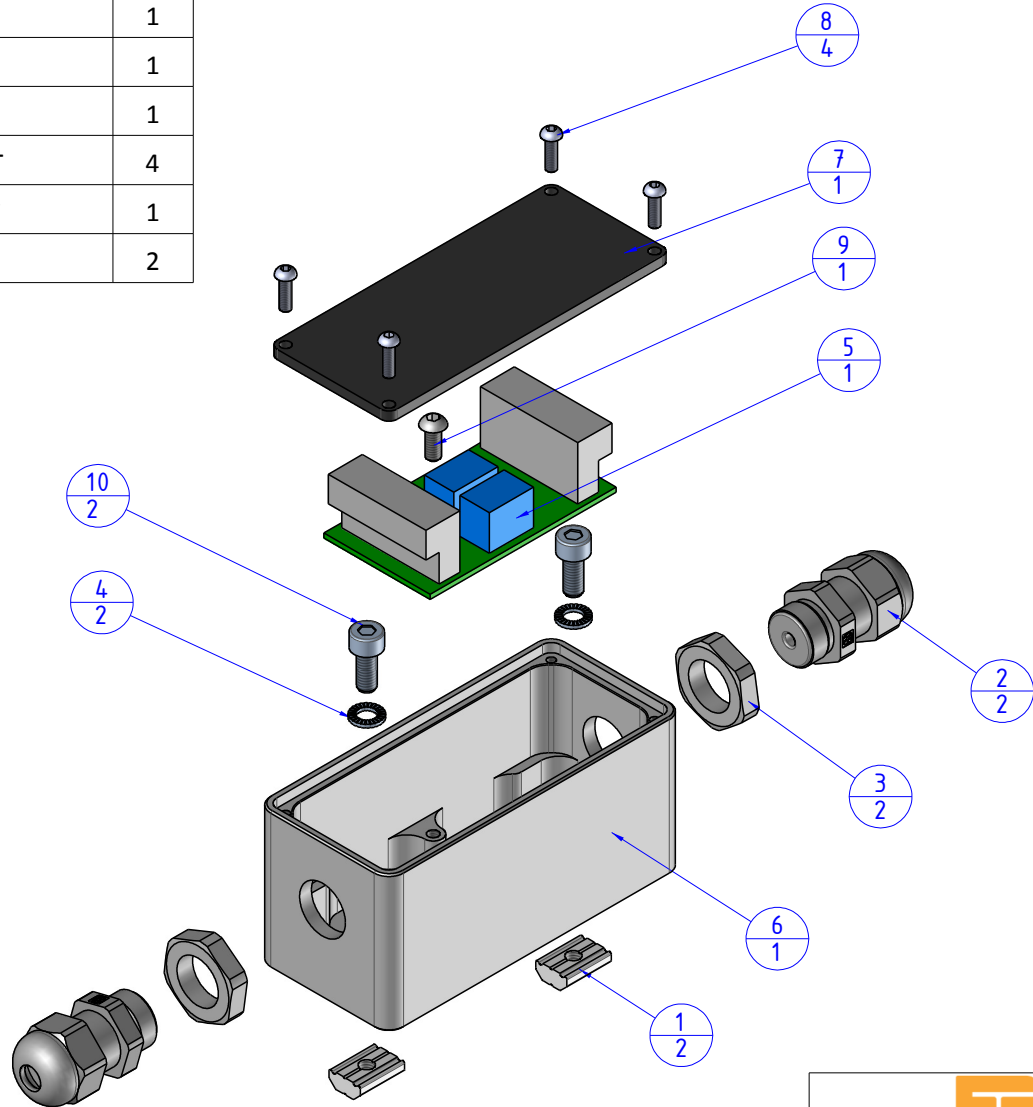



THE PROPERTY OF THE DRAWING IS ESTABLISHED BY LAW. IT IS FORBIDDEN TO PRODUCE OR SHOW IT TO THIRD PARTY, WITHOUT A WRITTEN AGREEMENT.

Item	Name	Q.ty
1	CA.GWP.5U	2
2	CEM.190009	2
3	CEM.1142009	2
4	R.5.SCH	2
5	SDS.02	1
6	SDS.02.1	1
7	SDS.02.2	1
8	V.TBCE.3X10.BUTT	4
9	V.TBCE4X10.BUTT	1
10	V.TCE5x12	2



Format A3
UNI 936-76

 FPS FPSERVICES AUTOMATION		DESIGNED FROM		REVIEW
		FPS Automation		A
GENERAL TOLERANCE		DATE		WEIGHT
UNI - ISO 2768		16/07/2019		
CLASSE F		CODE		
		CA.SDS.02		CA.SDS.02